



**Retracting Blade Ceiling Fan and Light**  
**Deckenventilator und Lampe mit versenkbaren Flügelblättern**  
**Ventilateur de plafond à pales rabattables avec luminaire**  
**Ventilador de techo con paletas retráctiles y lámpara**  
**Ventilatore da soffitto a pale retrattili e lampadario**  
**Plafondventilator met intrekbare bladen en licht**



GB	Installation Instruction Manual .....	2
D	Installationsanleitung .....	10
F	Guide d'installation.....	17
E	Manual de instrucciones de instalación.....	26
I	Manuale delle istruzioni di installazione.....	33
NL	Installatiehandleiding.....	42



## IMPORTANT SAFETY INSTRUCTIONS

- 1) This appliance is NOT intended for use by persons (including children) with reduced physical, sensory or mental capabilities, or lack of experience and knowledge, unless they have been given supervision or instruction concerning use of the appliance by a person responsible for their safety.
- 2) The all-poles disconnection must be incorporated in the fixed wiring in accordance with the wiring rules.
- 3) Meaning of crossed-out wheeled dustbin: Do not dispose of electrical appliances as unsorted municipal waste, use separate collection facilities. Contact your local government for information regarding the collection systems available. If electrical appliances are disposed of in landfills or dumps, hazardous substances can leak into the groundwater and get into the food chain, damaging your health and well-being.
- 4) The structure to which the fan is to be mounted must be capable of supporting a weight of 45kg.
- 5) The fan should be mounted so that the blades are at least **2.3 meters** above the floor for Europe.
- 6) The fan should be mounted so that the blades are at least **2.1 meters** above the floor for Australia.
- 7) The fan is designed for indoor use only. Mounting the fan in a situation where it is subject to water or moisture is dangerous.
- 8) Only an authorized electrician should execute the installation.

## INTRODUCTION

CONGRATULATIONS, as you have just chosen a quality ceiling fan.

## BEFORE INSTALLATION

Unpack the fan and carefully identify the parts. Please refer to FIGURE 1.

No.	Description	Qty.
1	Hanging System	1
2	Screws In Slots	4
3	Ceiling Canopy	1
4	Down Rod	1
5	Bolt	1
6	Bolt & Pin Cover	1
7	Pin	1
8	Unit Canopy	1
9	Blades	4
10	Retraction Mechanism	1
11	Light Base	1
12	Cover	1
13	Light Dome	1
14	Wood Screws	2
15	Plastic Wall Anchor	2
16	Balance Tape	4
17	Wall switch	1

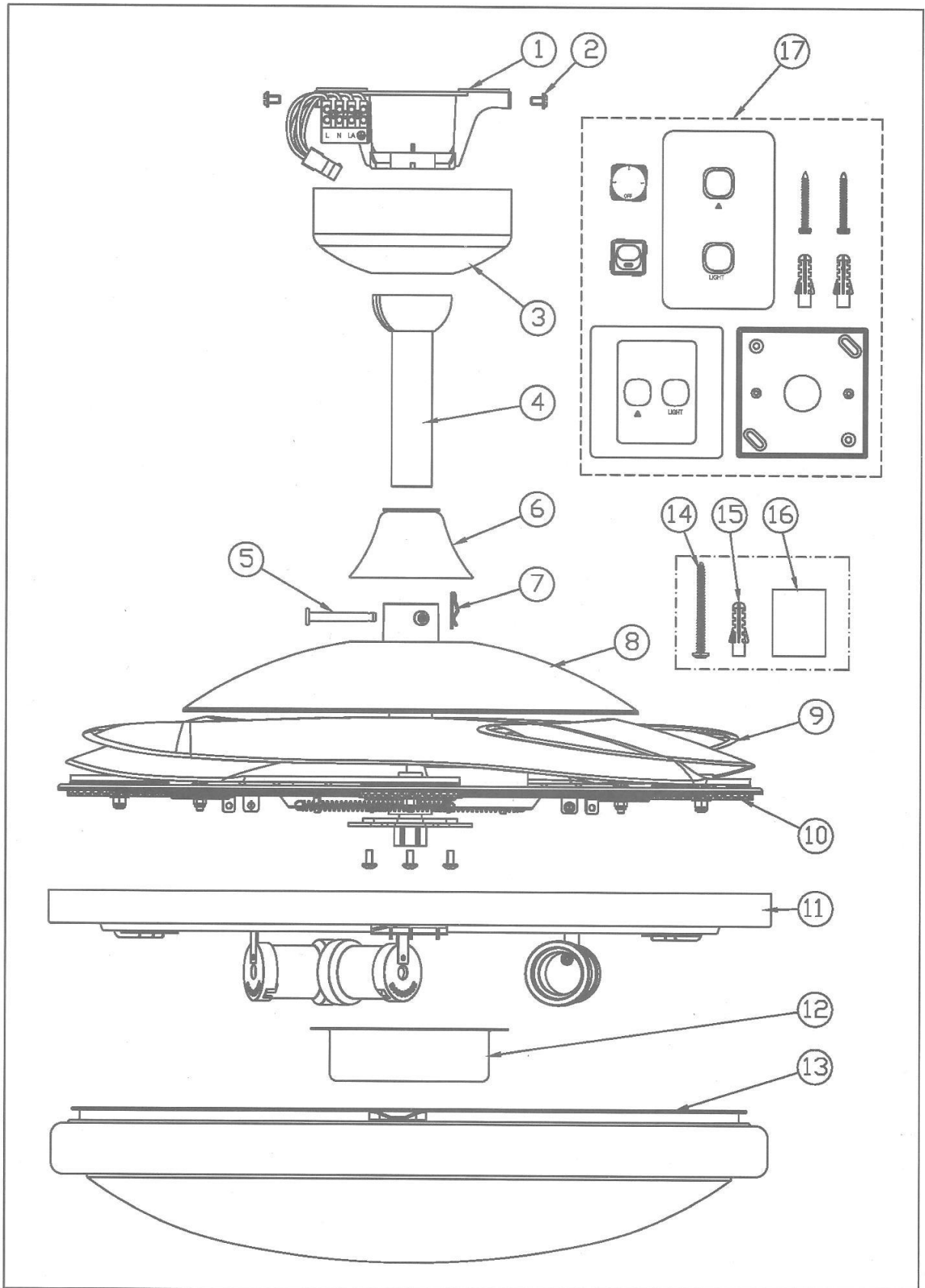


Figure 1.

Handle the unit assembly which includes motor, retraction mechanism, blades in retracted position and light kit with care. It is recommended to wear cotton gloves when installing the fan so that fingerprints are not left on the surface of the fan.

Model	Rated Voltage	Remote	Fan (watt)	Lamp
LD-0003-10/WH/GS/E27	220-240V, 50HZ	1.5V, AAA X 4	55W	3 x Max. 20W, CFL, E27
LD-0003-10/SN/GS/E27	220-240V, 50HZ	1.5V, AAA X 4	55W	3 x Max. 20W, CFL, E27
LD-0003-10/CH/GS/E27	220-240V, 50HZ	1.5V, AAA X 4	55W	3 x Max. 20W, CFL, E27

## INSTALLATION

**NOTE:** Ensure that the power to the supply wires has been turned off before attempting installation.

### INSTALL THE MOUNTING BRACKET

Drill two mounting holes in the ceiling joist and securely screw the mounting bracket to the ceiling using the washers and mounting screws provided. The mounting plate should be able to hold a weight of at least 45kg.

**Note-** Proper care must be taken when mounting to concrete ceilings. For safe mounting, these ceilings may require stronger screws and plastic plug or anchors than supplied with the product.

- 1) Remove ceiling canopy (No. 3 – Fig. 1) by loosening the 2 screws with slots.
- 2) Slide the ceiling canopy off.
- 3) Install mounting bracket (Fig. 2) to ceiling joist via using long screws provided. Ensure that at least 40mm of the screw is threaded into the support.

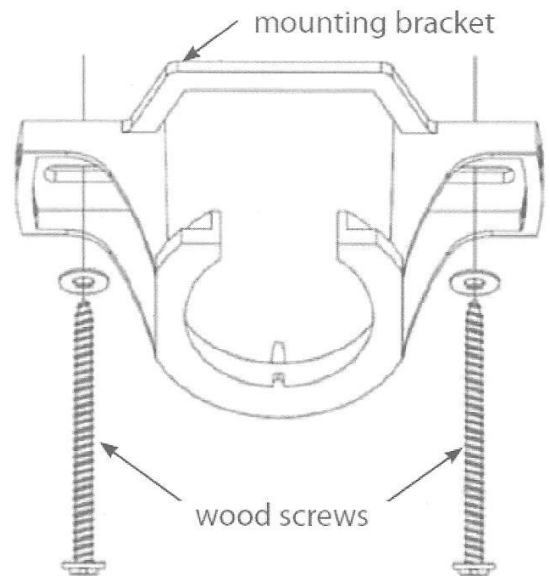


Figure 2

### WIRING

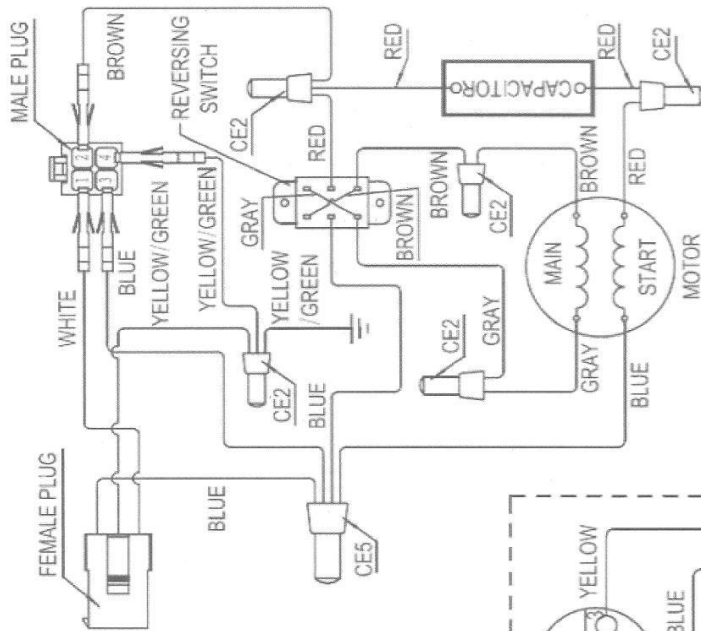
The wiring can now be installed ready for connection to the terminal block in the ceiling canopy of the fan.

1) Wiring requirement at the terminal block:

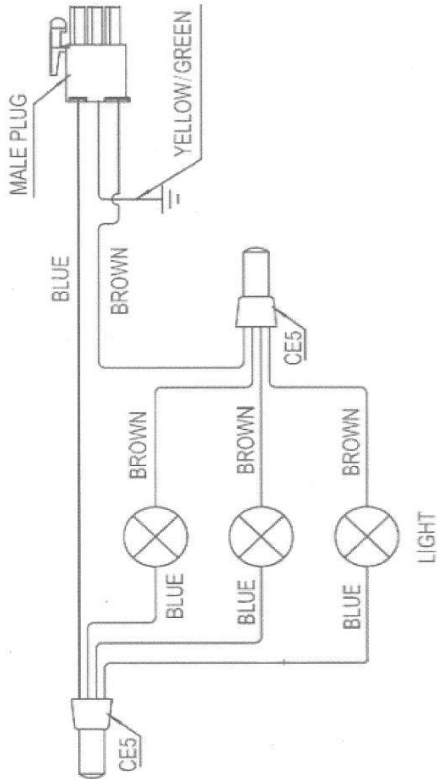
- Switched active out from rotary switch speed control "F" to the "L" terminal of the terminal block, on the mounting bracket.
- Switched active out from wall controller "light" switch, to the "LA" terminal of the terminal block on the mounting bracket
- Supply Neutral to "N" terminal of the terminal block, on the mounting bracket.
- Earth to "⊕" or "E" terminal of the terminal block, on the mounting bracket.

**NOTE:** AN ISOLATION SWITCH SHOULD BE INSTALLED SOMEWHERE IN THE FIXED WIRING OF A REMOTE FAN IN CASE REMOTE IS LOST, OR FOR SERVICING OF THE FAN.

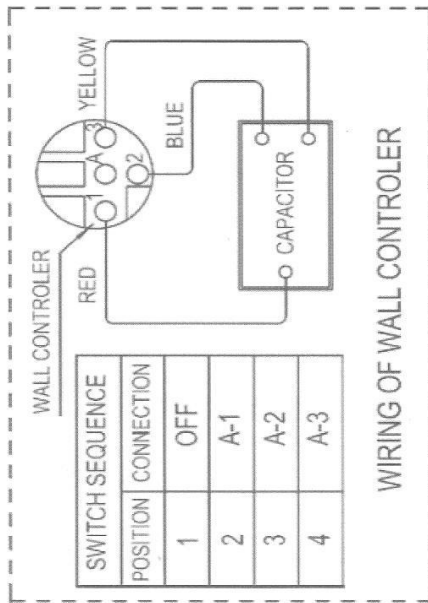
**NOTE:** REMOTE FANS **CANNOT** BE CONTROLLED BY A SPEED WALLSWITCH OR LIGHT WALL SWITCH.



CIRCUIT DIAGRAM OF MOTOR



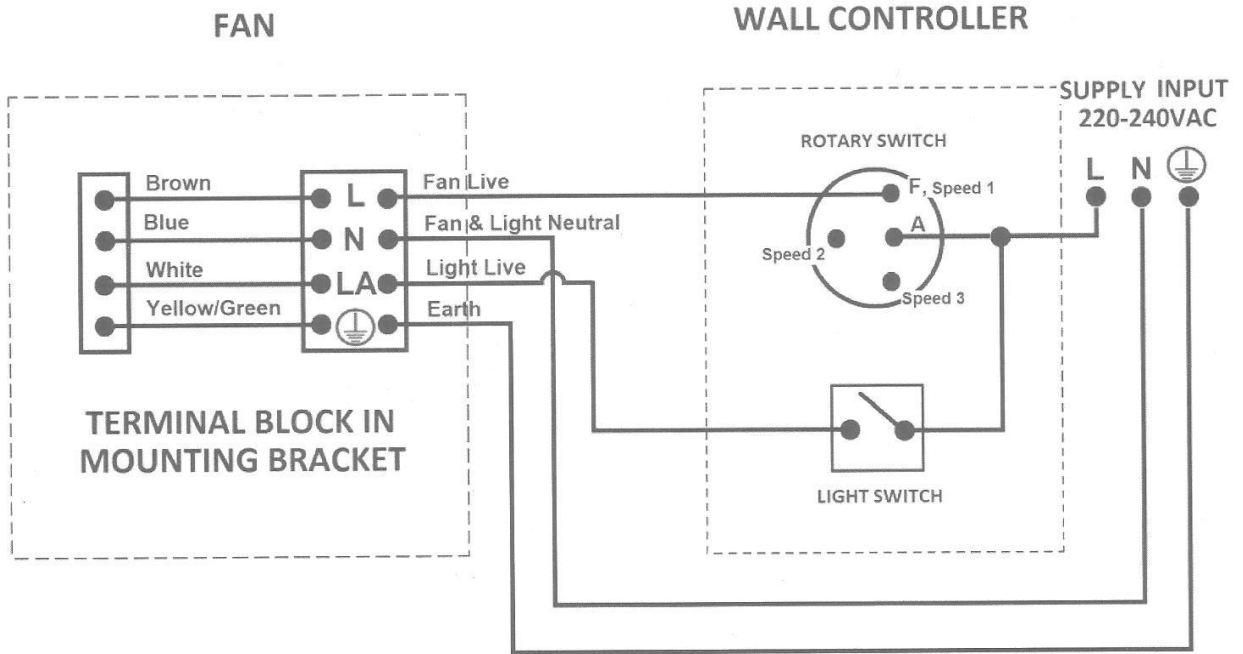
WIRING DIAGRAM OF CEILING PLATE



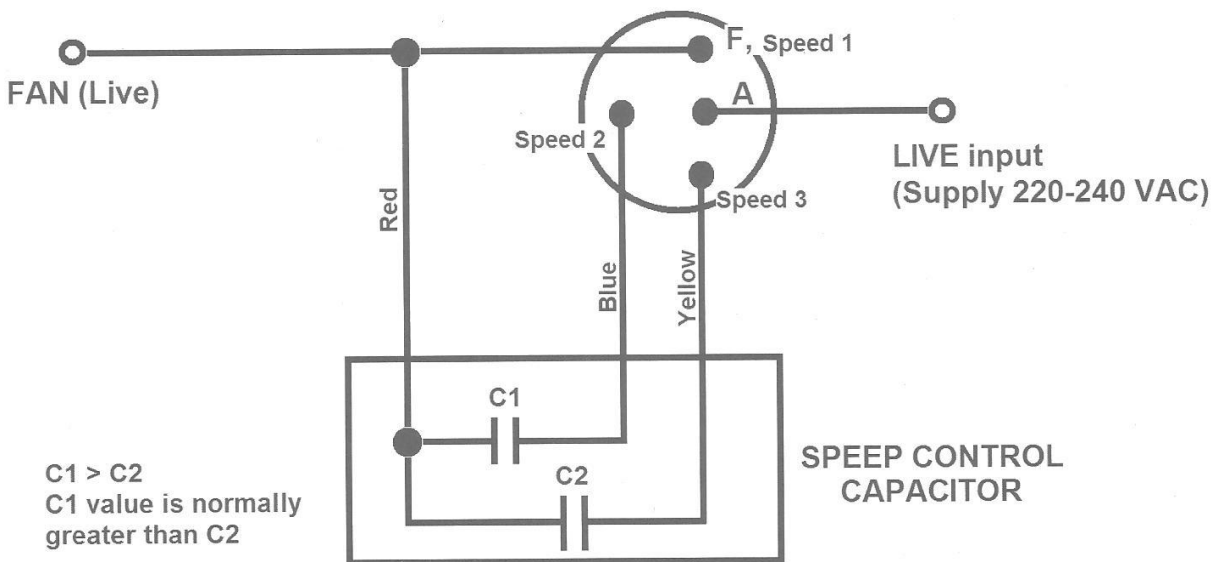
WIRING OF WALL CONTROLLER

# WIRING DIAGRAM OF CEILING FAN

Wiring information between the wall controller and terminal block in the mounting bracket



Rotary switch & Capacitor wiring diagram



## INSTALL THE DOWN ROD

- 1) Feed down rod through ceiling canopy (No.3– Fig. 1) and bolt and pin cover (No.6– Fig. 1).
- 2) Loose ball joint and insert the motor wires through down rod, and then secure ball joint back to down rod.
- 3) Insert down rod (No.4– Fig. 1) to the top of the unit (No.8– Fig. 1), line up unit holes with down rod holes and insert bolt (No.5– Fig. 1). Then insert pin (No.7– Fig. 1) to end of bolt.
- 4) Finally secure down rod and hanger via tightening two screws on the hanger.

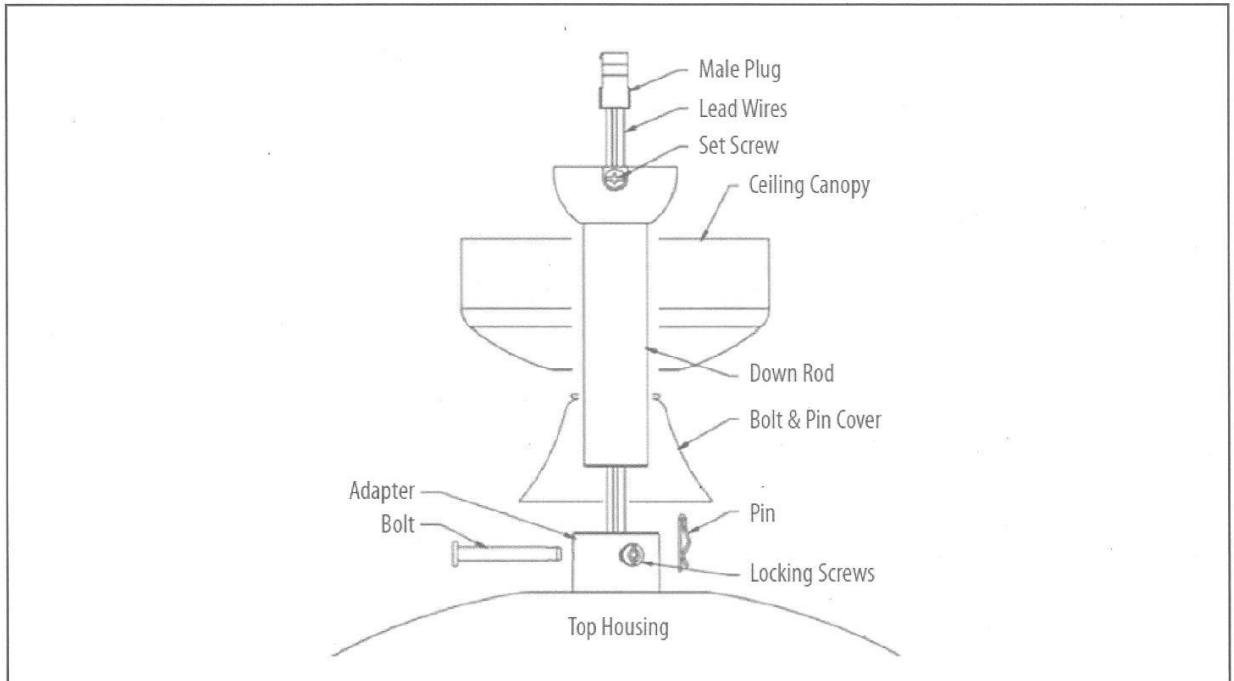


Figure 4

## INSTALL THE FAN TO MOUNTING BRACKET ON CEILING

- 1) Lift the fan to the ceiling and seat the ball joint in mounting bracket socket, make sure the tab on the mounting bracket socket is properly seated in the groove in the ball joint.
- 2) Insert the remote receiver in mounting bracket (No.1- Fig.1).
- 3) Connect remote to motor wire via plugging the plug and socket together (No.2 - Fig. 3) and connect remote to mounting bracket via plugging the plug and socket together (No. 1 - Fig. 3).
- 4) Then slide the ceiling canopy (No.3– Fig. 1) onto the mounting bracket using the slotted holes. Align the other 2 holes and then install the 2 other screws. Tighten all four screws firmly.

## INSTALL THE LIGHT KIT

Install light kit and screw light base (No.11-Fig.1) firmly to the fan. Do not over-tighten. Plug the plug and socket together. Install the wire cover (No.12-Fig.1) to light base. Install bulbs (not included). Finally install the light dome to light base via turning it clockwise.

## REVERSE FUNCTION

Your ceiling can operate either in fan mode or reverse fan mode.

**SUMMER Mode:** The reverse switch shall be in “down” (SUMMER) position to make the fan rotate in the anticlockwise direction. The airflow will be directed downwards, for cooling in summer.

**WINTER Mode:** The reverse switch shall be “up” (WINTER) position to make the fan rotate in clockwise direction. The airflow will be directed upwards, for energy conservation in winter.

## USING YOUR CEILING FAN

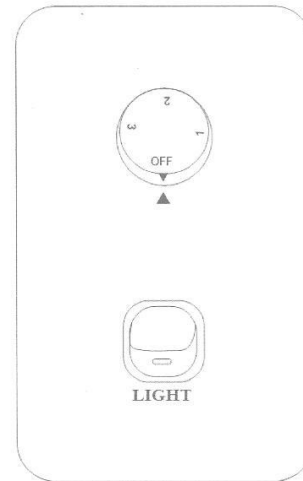
### FAN WALL CONTROL

Turn on the power and check the operation of the fan.

- OFF Position – fan off
- 3rd Position – low medium fan speed
- 2nd Position – medium fan speed
- 1st Position – high fan speed

### Light Control

- Toggle Switch – on/off



## AFTER INSTALLATION

### **WOBBLE:**

The fan blades have been adjusted in the factory to minimize any wobble.

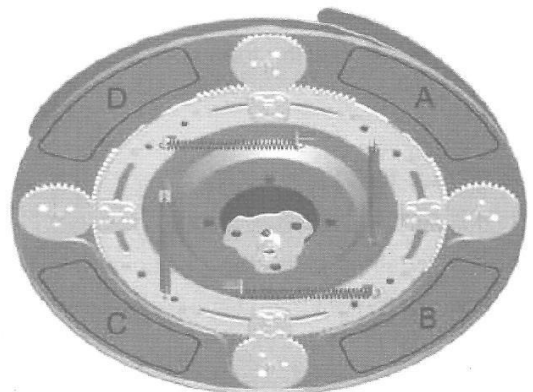
**NOTE:** CEILING FANS TEND TO MOVE DURING OPERATION DUE TO THE FACT THAT THEY ARE MOUNTED ON A RUBBER GROMMET. IF THE FAN WAS MOUNTED RIGIDLY TO THE CEILING IT WOULD CAUSE EXCESSIVE VIBRATION. MOVEMENT OF A FEW CENTIMETRES IS QUITE ACCEPTABLE AND DOES NOT SUGGEST ANY PROBLEM.

**TO REDUCE THE FAN WOBBLE:** PLEASE CHECK THAT ALL SCREWS WHICH SECURED THE MOUNTING BRACKET AND DOWN ROD ARE SECURE.

### **BALANCING A WOBBLING CEILING FAN:**

For your convenience, a **Balancing Kit** is included; please follow this procedure when balancing the fan:

- 1) Install fan without light dome before balancing the fan.
- 2) Define the base plate into four areas (point A, B, C & D). Use one weight from the balance kit to lightly stick on the edge of the base plate (say point A), if the wobble worsens, then take off the balance kit and lightly stick it on the opposite side (say point B); if the wobble is worse, then go to the adjacent point C or D, if the wobble gets





better, then securely stick on the weight at this location on the base plate.

- 3) After balancing the fan, assemble the light dome to the light base.

#### **NOISE:**

When it is quiet (especially at night) you may hear occasional small noises. Slight power fluctuations and frequency signals superimposed in the electricity for off-peak hot water control, may cause a change in fan motor noise. This is normal. Please allow a 24-hour "breaking -in" period, most noises associated with a new fan disappear during the time. The manufacturer's warranty covers actual faults that may develop and NOT minor complaints such as hearing the motor run – All electric motors are audible to some extent.

#### **CARE AND CLEANING**

- 1) Periodic cleaning of your ceiling fan is the only maintenance required. Use a soft brush or lint free cloth to avoid scratching the paint finish. Please turn off electricity power when you do so.
- 2) Do not use water when cleaning your ceiling fan. It could damage the motor or the blades and create the possibility of an electrical shock.
- 3) Motor has permanently lubricated ball bearing. No need to oil

NOTE: Always turn off the power and disconnect the female plug 1 and male plug 1 before attempting to clean your fan.

#### **WARRANTY CONDITIONS**

**IN AUSTRALIA / NEW ZEALAND CUSTOMER** – Please refer to the separated WARRANTY STATEMENT.  
**IN EUROPE** – If you are a European Customer Please contact the retail outlet where the fan was purchase for warranty service.